

## Quick Connectiong Tube Fittings

### WPL45 G SERIES



#### Product features

- One-Touch tube fittings are used in pneumatics piping.
- The tube fittings come in wide variety of models to meet all your needs in pneumatics piping.
- Even after installation, in direction of the tube can be changed freely.
- Nickel-plated metal body ensures Anti-Corrosion and Anti-Contamination.
- All R and NPT threads are Pre-Costed sealant.
- All cylindrical threads are standard with O-Ring seals.

#### Speciality

Fluid	Air, Vacuum
Operating Pressure	0-1.0MPa (150 psi)
Negative Pressure	-100KPa(-29.5 in-Hg)
Max Pressure	1.5MPa
Operating Temperature	0-60°C(32-140°F)
Applicable Tube	Polyurethane and Nylon

#### Ordering Code

<b>1</b>	<b>PC</b>	<b>8</b>	<b>- 01</b>	<b>- *</b>
<b>(1)</b>	<b>(2)</b>	<b>(3)</b>	<b>(4)</b>	<b>(5)</b>

#### Metric Size

Code	4	5	6	7	8	9	10	11	12	13	14	15	16
Tube Outer Diameter mm	φ4	φ5	φ6	φ7	φ8	φ9	φ10	φ11	φ12	φ13	φ14	φ15	φ16

#### Inch Size

Code	5/32	3/16	1/4	5/16	3/8	1/2
Tube Outer Diameter mm	φ5/32	φ3/16	φ1/4	φ5/16	φ3/8	φ1/2

#### (4) Thread type and size

#### Metric Size

Code	M5	M6	M8	M10	M12	M12A	M14	M16	M20
Thread	M5*0.8	M6*1	M8*1	M10*1	M12*1.25	M12*1.5	M14*1.5	M16*1.5	M20*1.5

#### 55° Taper Pipe Thread (NPT)

Code	01	02	03	04	06
Thread	R1/8	R1/4	R3/8	R1/2	R3/4

#### 55° Taper Pipe Thread (NPT)

Code	G01	G02	G03	G04	G06
Thread	G1/8	G1/4	G3/8	G1/2	G3/4

#### UNF

#### 60° American Standard Taper Pipe Thread (NPT)

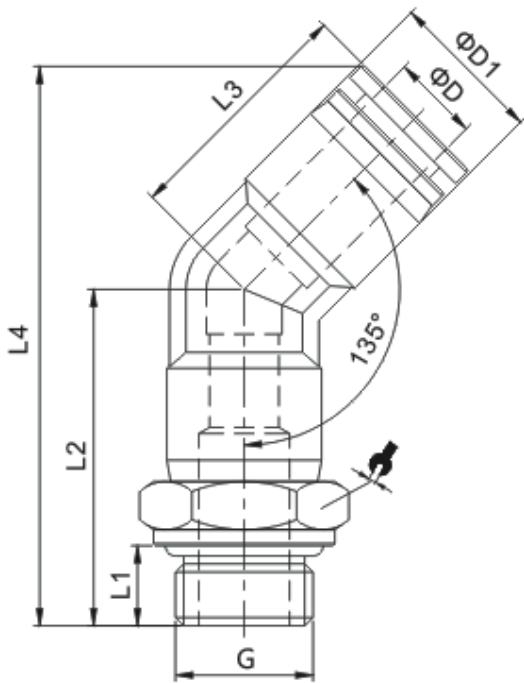
Code	U10	NO1	NO2	NO3	NO4	NO6
Thread	10-32UNF	NPT1/8	NPT1/8	NPT1/4	NPT1/2	NPT3/4

Note: The external dimension of fitting size is connected the outer diameter odd no. ( φ5, φ7, φ9, φ11, φ13) will be suit φ6, φ10, φ12, φ14

## Quick Connecting Tube Fittings

### WPL45 G SERIES

#### Dimensions



MODEL	φD	G	L1	L2	L3	L4	φD1	
WPL45-04-G01	4	G1/8	5.5	25.5	19	42.5	11.3	14
WPL45-04-G02	4	G1/4	7.5	28	19	45	11.3	17
WPL45-04-G03	4	G3/8	7.5	28.5	19	45.5	11.3	20
WPL45-06-G01	6	G1/8	5.5	25.5	19.2	43.5	13.3	14
WPL45-06-G02	6	G1/4	7.5	28	19.2	46	13.3	17
WPL45-06-G03	6	G3/8	7.5	28.5	19.2	46.5	13.3	20
WPL45-06-G04	6	G1/2	10	31	19.2	49	13.3	24
WPL45-08-G01	8	G1/8	5.5	29	22.5	49.5	14.8	14
WPL45-08-G02	8	G1/4	7.5	31.5	22.5	52	14.8	17
WPL45-08-G03	8	G3/8	7.5	32	22.5	52.5	14.8	20
WPL45-08-G04	8	G1/2	10	34.5	22.5	55	14.8	24
WPL45-10-G01	10	G1/8	5.5	33.5	27.8	60	18.7	17
WPL45-10-G02	10	G1/4	7.5	36	27.8	62.5	18.7	17
WPL45-10-G03	10	G3/8	7.5	36	27.8	62.5	18.7	20
WPL45-10-G04	10	G1/2	10	39.5	27.8	66	18.7	24
WPL45-12-G01	12	G1/8	5.5	36	29.5	64	21.3	21
WPL45-12-G02	12	G1/4	7.5	38.5	29.5	66.5	21.3	21
WPL45-12-G03	12	G3/8	7.5	38.5	29.5	66.5	21.3	21
WPL45-12-G04	12	G1/2	10	41.5	29.5	69.5	21.3	24