

NF SERIES (Non-touch Flat)

Main advantages

- Non-contact handling item
- Integrated Multi-suction system
- Low air consumption
- Large vacuum flow and powerful suction force
- Safe gripping with mark free
- No moving parts
- Excellent gripping with metal sheets with holes.

Application

Circuit boards,Solar cell,CDs and DVDs,Uneven sheet Wood,Packaging,Plastic,Thin products,Film, Paper,Mirrors,Paper-board..



Order No.

NF 40 06 A - 18F
 ① ② ③ ④

① Vacuum pad Ø

NF 20	-	Ø20
● NF 40	-	Ø40
NF 60	-	Ø60

③ Material

● A	-	Aluminum
P	-	PEEK**

② Vacuum flows

● 06	-	standard
12	-	an extra vacuum flow



④ Thread size

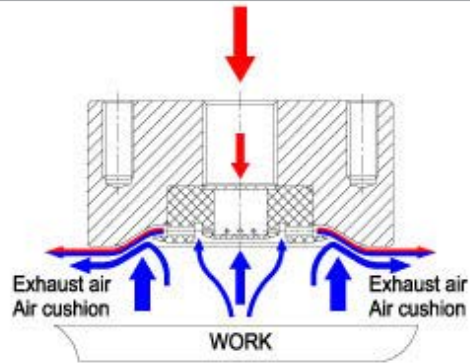
M5F	-	M5XP0.8 female (NF20..)
● 18F	-	G1/8" female (NF40.., NF60..)

Technical Data

Model	Operating pressure (bar)	Air consumption (NI/m)			Holding force, (kg) at different pressure			Weight (g)
		4 bar	5 bar	6 bar	4 bar	5 bar	6 bar	
NF 20 06	4 ~ 6	75	82	90	0.2	0.22	0.22	Al : 21 Peek : 11.5
NF 20 12		138	166	198	0.2	0.22	0.22	
NF 40 06	4 ~ 6	53	68	82	0.29	0.39	0.49	Al : 55 Peek : 30
NF 40 12		120	128	135	0.49	0.59	0.68	
NF 60 06	4 ~ 6	105	123	126	0.59	0.79	0.89	Al : 130 Peek : 70
NF 60 12		160	190	223	0.99	1.25	1.49	

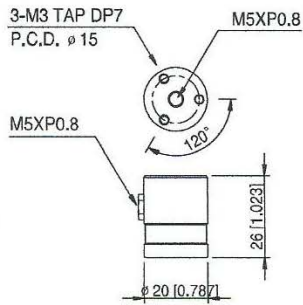
The principle of VMECA NF PAD

 COMPRESSED AIR
 VACUUM

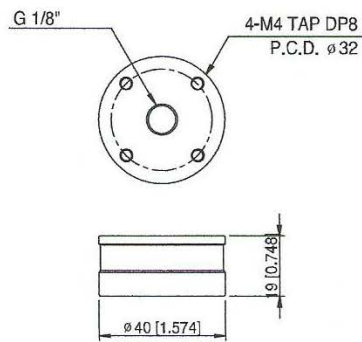


Dimensional information

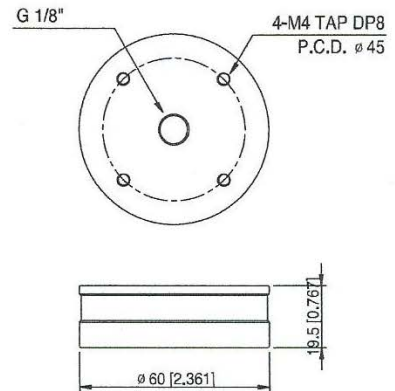
[Measure unit : mm[in]]



▲ NF 20 06 .. / NF 20 12..



▲ NF 40 06 .. / NF 40 12..



▲ NF 60 06 .. / NF 60 12..

Applications

