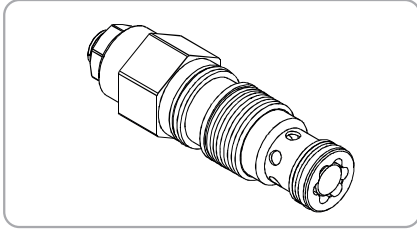
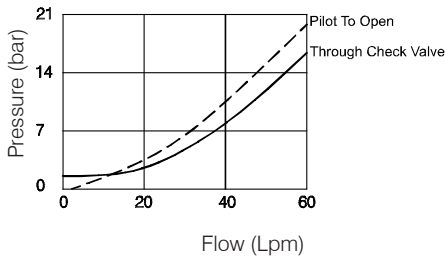


WCB SERIES CARTRIDGE TYPE COUNTER BALANCE VALVES

WCB- 02 Series



Performance



Specifications

Model Number	Max. Pressure (bar)	Pilot Ratio	Adjustment Pressure	Max. Flow (lpm)	Weight (Kg)
WCB-02	350 (5076 psi)	1.5:1/3:1/4.5:1/10:1	★~350	80(21.13 gpm)	0.2 (0.44 lbs)
Fluid Type			ISO VG 32, 46, 68		
Viscosity cSt			10~400 (59~1854 SSU)		
Operating Temperature			-15~70 (-5~158°F)		
Contamination Level			ISO4406.21/19/16 NAS1638,10		

How To Order

1	2	3	4
WCB	02	- 10	- 3A

1 Valve Series

WCB=Overcentre Valve Pilot Assisted Relief With Check

2 Porting

02 :T-11A Cavity :CST-11A

3 Adjustment Pressure

Check Spring Pressure 1.8bar			Check Spring Pressure 0.3bar		
Order	Adjustment pressure	Pilot ratio	Order	Adjustment pressure	Pilot ratio
10	25 ~ 105 (bar)	1.5:1	25	25 ~ 105 (bar)	1.5:1
28	70 ~ 280 (bar)	3:1	70	70 ~ 280 (bar)	3:1
17	70 ~ 175 (bar)	10:1	80	70 ~ 175 (bar)	10:1
35	140 ~ 350 (bar)	4.5:1	14	140 ~ 350 (bar)	4.5:1

4 Pilot Ratio

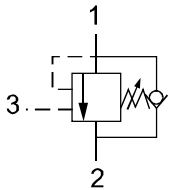
1.5A : 1.5:1

3A : 3:1

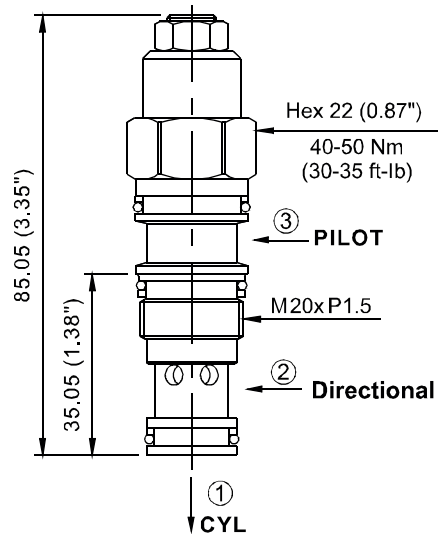
4A : 4.5:1

10A : 10:1

Control Port (S)

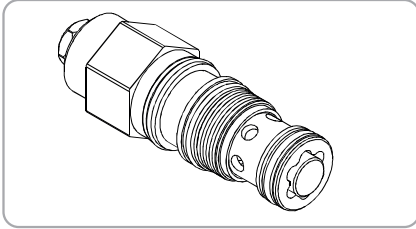


Dimensions

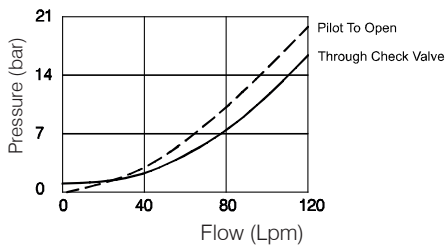


WCB SERIES CARTRIDGE TYPE COUNTER BALANCE VALVES

WCB- 03 Series



Performance



Specifications

Model Number	Max. Pressure (bar)	Pilot Ratio	Adjustment Pressure	Max. Flow (lpm)	Weight (Kg)
WCB-03	350 (5076 psi)	1.5:1/3:1/4.5:1/10:1	★~350	120(31.70 gpm)	0.3 (0.68 lbs)
Fluid Type			ISO VG 32, 46, 68		
Viscosity cSt			10~400 (59~1854 SSU)		
Operating Temperature			-15~70 (-5~158°F)		
Contamination Level			ISO4406.21/19/16 NAS1638,10		

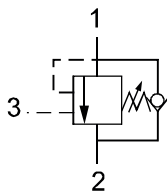
How To Order

1	2	3	4
WCB	03	- 10	- 3A

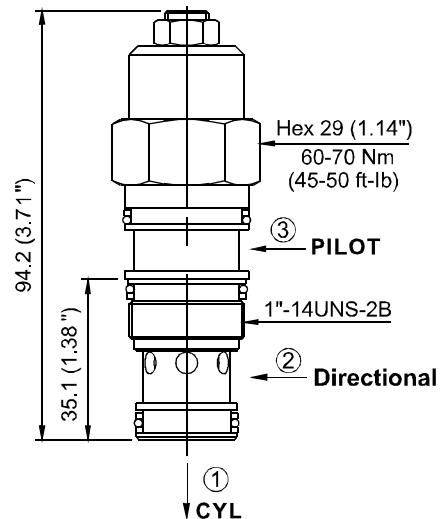
- Valve Series**
WCB=Overcentre Valve Pilot Assisted Relief With Check (REDUCING/RELIEVING VALVES)
- Subplate Mounting Size**
03 :T-2A Cavity :CST-2A
- Adjustment Pressure**
- Pilot Ratio**
1.5A : 1.5:1
3A : 3:1
4A : 4.5:1
10A : 10:1

Check Spring Pressure 1.8bar			Check Spring Pressure 0.3bar		
Order	Adjustment pressure	Pilot ratio	Order	Adjustment pressure	Pilot ratio
10	25 ~ 105 (bar)	1.5:1	25	25 ~ 105 (bar)	1.5:1
28	70 ~ 280 (bar)	3:1	70	70 ~ 280 (bar)	3:1
17	70 ~ 175 (bar)	10:1	80	70 ~ 175 (bar)	10:1
35	140 ~ 350 (bar)	4.5:1	14	140 ~ 350 (bar)	4.5:1

Control Port (S)

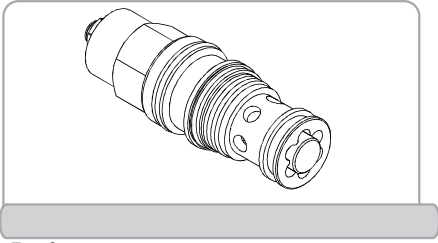


Dimensions

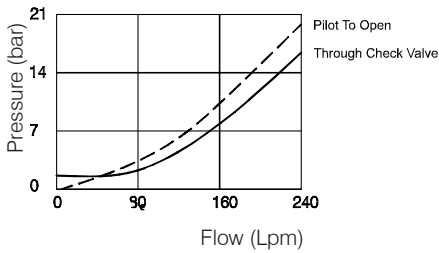


WCB SERIES CARTRIDGE TYPE COUNTER BALANCE VALVES

WCB- 06 Series



Performance



Specifications

Model Number	Max. Pressure (bar)	Pilot Ratio	Adjustment Pressure	Max. Flow (lpm)	Weight (Kg)
WCB-06	350 (5076 psi)	1.5:1/3:1/4.5:1/10:1	★~350	240(63.40 gpm)	0.61 (1.35 lbs)
Fluid Type			ISO VG 32, 46, 68		
Viscosity cSt			10~400 (59~1854 SSU)		
Operating Temperature			-15~70 (-5~158°F)		
Contamination Level			ISO4406.21/19/16 NAS1638,10		

How To Order

1	2	3	4
WCB	06	- 10	- 3A

1 Valve Series

WCB=Overcentre Valve Pilot Assisted Relief With Check

4 Pilot Ratio

1.5A : 1.5:1
3A : 3:1
4A : 4.5:1
10A : 10:1

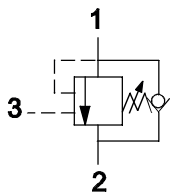
2 Subplate Mounting Size

06 :T-17A Cavity :CST-17A

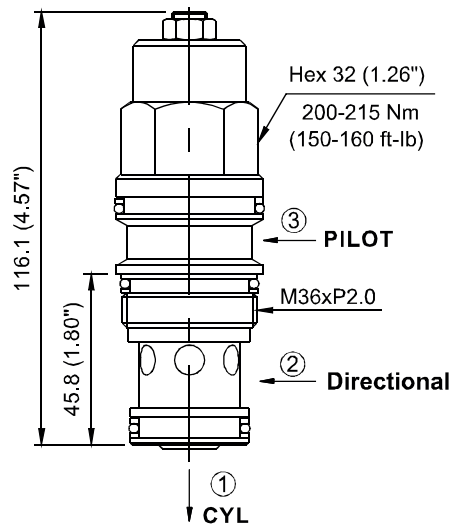
3 Adjustment Pressure

Check Spring Pressure 1.8bar			Check Spring Pressure 0.3bar		
Order	Adjustment pressure	Pilot ratio	Order	Adjustment pressure	Pilot ratio
10	25 ~ 105 (bar)	1.5:1	25	25 ~ 105 (bar)	1.5:1
28	70 ~ 280 (bar)	3:1	70	70 ~ 280 (bar)	3:1
17	70 ~ 175 (bar)	10:1	80	70 ~ 175 (bar)	10:1
35	140 ~ 350 (bar)	4.5:1	14	140 ~ 350 (bar)	4.5:1

Control Port (S)

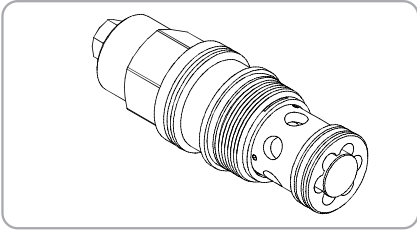


Dimensions

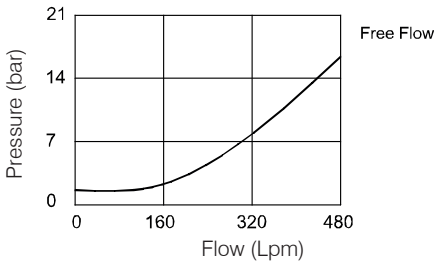


WCB SERIES CARTRIDGE TYPE COUNTER BALANCE VALVES

WCB- 10 Series



Performance



Specifications

Model Number	Max. Pressure (bar)	Pilot Ratio	Adjustment Pressure	Max. Flow (lpm)	Weight (Kg)
WCB-10	350 (5076 psi)	1.5:1/3:1/4.5:1/10:1	★~350	480(105.50 gpm)	1.6 (3.53 lbs)
Fluid Type			ISO VG 32, 46, 68		
Viscosity cSt			10~400 (59~1854 SSU)		
Operating Temperature			-15~70 (-5~158°F)		
Contamination Level			ISO4406.21/19/16 NAS1638,10		

How To Order

1	2	3	4
WCB	10	- 10	- 3A

1 Valve Series

WCB=Overcentre Valve Pilot Assisted Relief With Check

4 Pilot Ratio

1.5A : 1.5:1
3A : 3:1
4A : 4.5:1
10A : 10:1

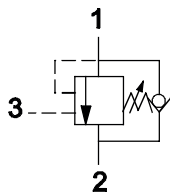
2 Subplate Mounting Size

10 :T-19A Cavity :CST-19A

3 Adjustment Pressure

Check Spring Pressure 1.8bar			Check Spring Pressure 0.3bar		
Order	Adjustment pressure	Pilot ratio	Order	Adjustment pressure	Pilot ratio
10	25 ~ 105 (bar)	1.5:1	25	25 ~ 105 (bar)	1.5:1
28	70 ~ 280 (bar)	3:1	70	70 ~ 280 (bar)	3:1
17	70 ~ 175 (bar)	10:1	80	70 ~ 175 (bar)	10:1
35	140 ~ 350 (bar)	4.5:1	14	140 ~ 350 (bar)	4.5:1

Control Port (S)



Dimensions

