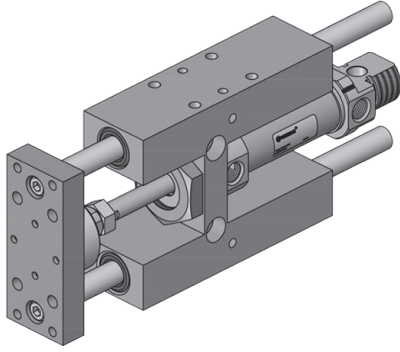


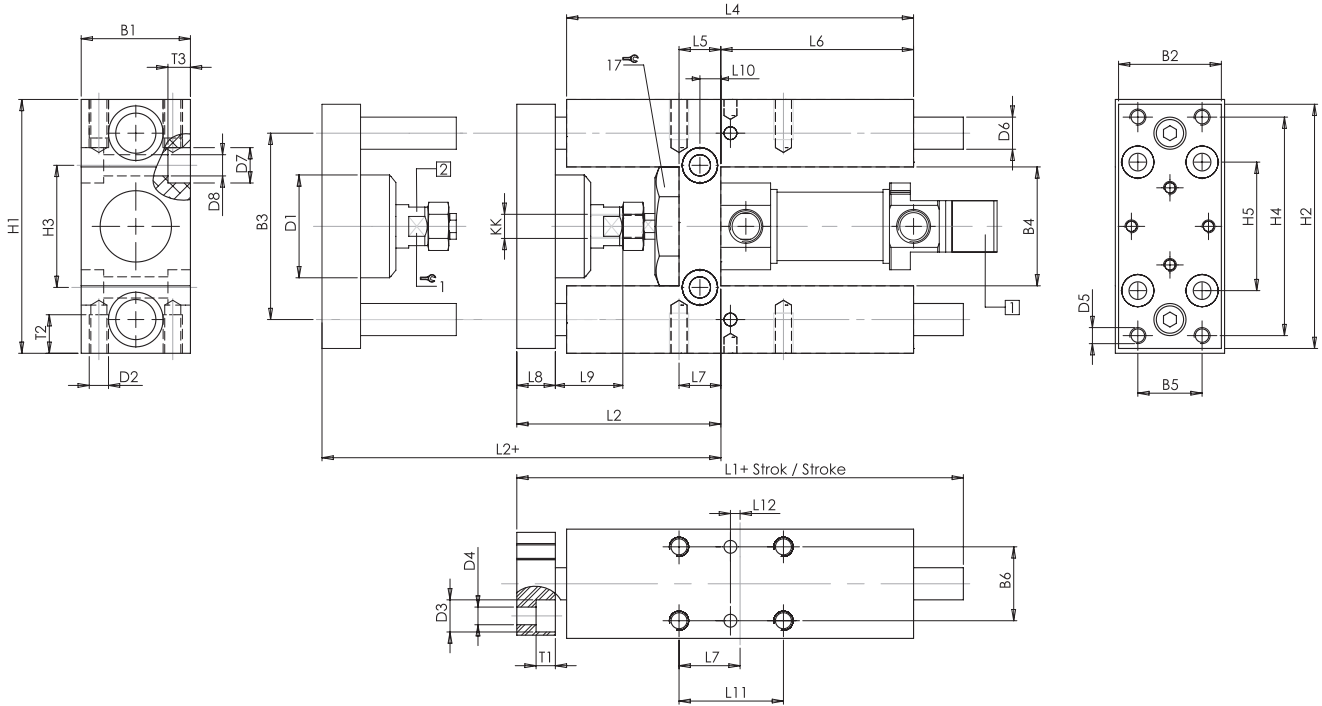
WHC - ISO 6432 İçin Yataklama / WHC - ISO 6432 Guides



Özellikler / Specification

Piston Çapı / Bore Size	20	25
Sıcaklık / Temperature	-20 ~ +80 °C	
Hız / Speed Range	< 800 mm/s	

Teknik Çizim / Technical Drawing



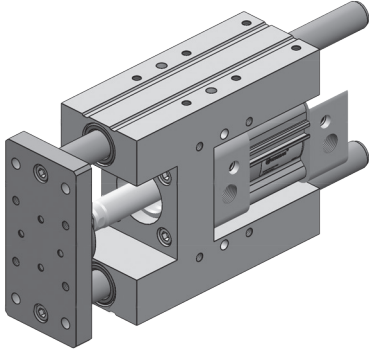
- 1 ISO 6432 Silindir / ISO 6432 Cylinder
2 Kompanzator Kaplin / Compensator Coupling

Ø mm	B1 -0.3	B2	B3 -0.2	B4	B5	B6	D1 Ø	D2	D3 Ø	D4 Ø	D5	D6 Ø	D7 Ø	D8 Ø	H1 ±0.4	H2	H3 ±0.2	H4	H5	KK	L1	L2 +5	L4	L5	L6	L7	L8	L9	L10	L11 ±0.2	L12 ±0.1	11	12	13	1	2
20	34	32	57	36	20	23	32	M6	10	5.50	M5	10	11	6.60	78	76	38	68	40	M8	139	63	108	13	60	18	12	20	6.50	32.50	3.0	6.0	14	7.0	12	32
25	34	32	57	36	20	23	32	M6	10	5.50	M5	10	11	6.60	78	76	38	68	40	M10X1.25	139	65	108	17	58	19	12	20	8.50	32.50	3.0	.0	14	7.0	12	32

Sipariş Kodu / Ordering Code

MODEL	YATAKLAMA GUIDING	ÇAP DIA	STROK STROKE
WHC	R	025	0100
H TİPİ YATAKLAMA H Type Guiding	R :RULMAN YATAKLAMALI Bearing Guide B :BURÇ YATAKLAMA Bushing Guide	PİSTON ÇAPİ (mm) Piston Dia	STROK (mm) Stroke

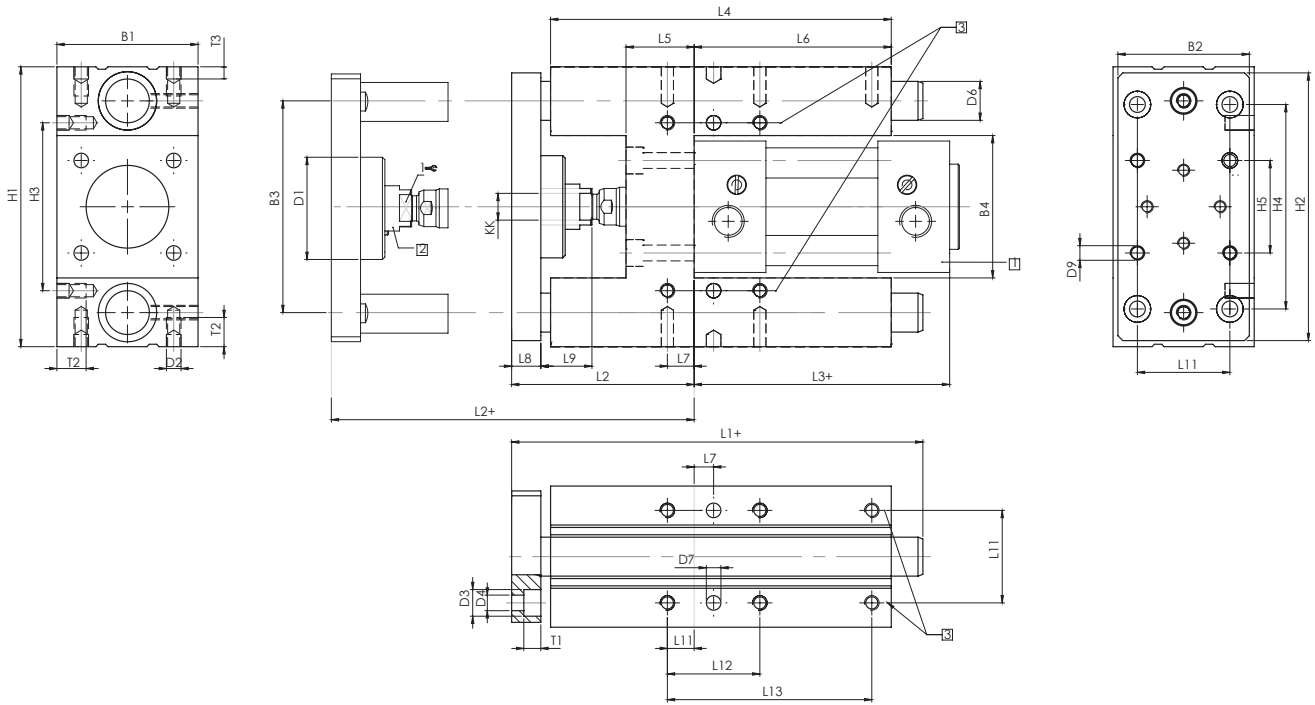
WHC - Serisi ISO 15552 İçin Yataklamalar / WHC- Series Guides For ISO 15552



Özellikler / Specification

Piston Çapı / Bore Size	32	40	50	63	80	100
Sıcaklık / Temperature	-20 ~ +80 °C					
Hız / Speed Range	< 800 mm/s					

Teknik Çizim / Technical Drawing



1 ISO 15552 Silindir / ISO 15552 Cylinder

2 Kompazatör Kaplin / Kompensator Coupling

Ø mm	B1 -0.3	B2	B3 -0.3	B4	D1 Ø	D2	D3 Ø	D4 Ø	D5	D6 Ø	D7 ±1	L6	L7	L8	L9	L11 ±0.2	L12 ±0.2	L13 ±0.2	T1	T2	T3	H1	H2	H3 ±0.2	H4 ±0.2	H5 ±0.2	KK	L1	L2	L3	L4	L5	1
32	50	45	74	50.0	42	M6	11	6.6	M6	12	4	76	11.0	12	20	4.30	32.5	70.3	6	10	5	97	95	61	78	32.5	M10X1.25	159	67+5	94	125	24	15
40	58	54	87	58.5	42	M6	11	6.6	M6	16	6	81	8.0	12	20	11.0	38.0	84.0	7	12	5	115	110	69	84	38.0	M12X1.25	169	75+5	105	140	28	15
50	70	63	104	70.5	58	M8	15	8.5	M8	20	6	79	4.5	15	29	18.8	46.5	81.8	8	15	5	137	130	85	100	46.5	M16X1.5	187	89+10	106	150	34	21
63	85	80	119	85.5	58	M8	15	8.5	M8	20	6	111	13.0	15	29	15.3	56.5	105.0	8	16	5	152	145	100	105	56.5	M16X1.5	222	89+10	121	182	34	21
80	105	100	148	106.0	78	M10	18	11.0	M10	25	8	128	15.0	20	32	21.0	72.0	-	11	25	8	189	180	130	130	72.0	M20X1.5	258	111+10	128	215	40	27
100	130	130	172	131.0	78	M10	18	11.0	M10	25	8	128	20.0	20	32	24.5	89.0	-	11	25	8	213	200	150	150	89.0	M20X1.5	263	116+10	138	220	40	27

Sipariş Kodu / Ordering Code

MODEL	YATAKLAMA GUIDING	ÇAPI DIA	STROK STROKE
WHC	R	050	0100
H TİPİ YATAKLAMA H Type Guiding	R :RULMAN YATAKLAMALI Bearing Guide B :BURÇ YATAKLAMA Bushing Guide	PİSTON ÇAPI (mm) Piston Dia	STROK (mm) Stroke