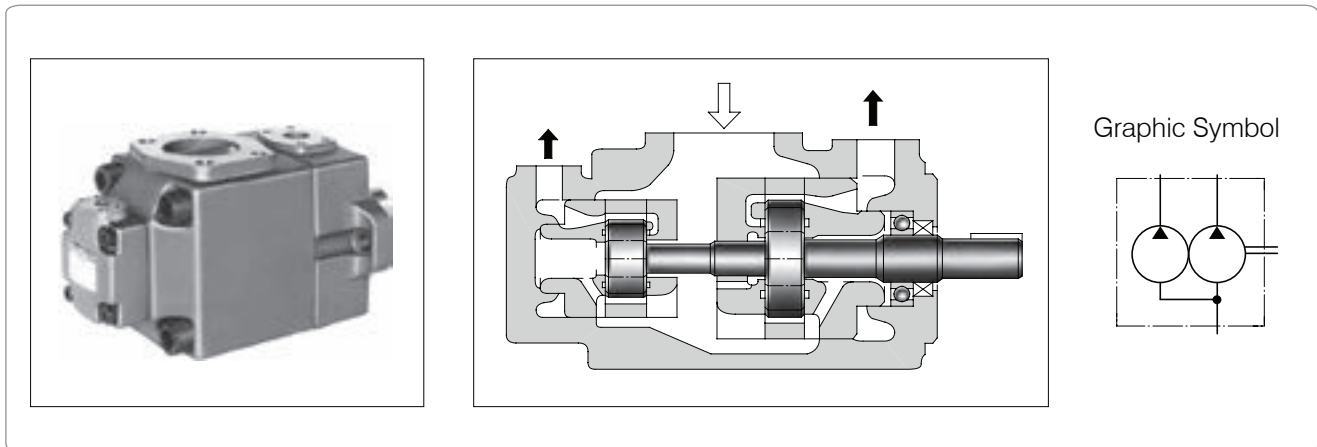


WINMAN WPV2R Series Double Vane Pumps

These double pumps consist of two WPV2R series single pumps combined in tandem within a single housing and driven by a common shaft. A single suction port and two discharge ports are provided so that the output flow can be supplied to separate circuits.



Model Description

F-	WPV2R13	-6	-76	-F	-1	R	-U	U	-10
Applicable oil right mark	Series Number	Nominal displacement mL/r		Installation type	Aerial extension form	turn around	Output port position		Design Number
		Cover-end pump	Shaft end pump				Cover-end pump	Shaft end pump	
Ummarked Petroleum oil Emulsion Water-ethylene F: Phosphate ester solution	WPV2R12	6, 8, 10, 12, 14, 17, 19, 23, 25, 28, 31	26, 33, 41, 47 53, 59, 65, 75	F: (standard): Flange Mtg. L: Foot Mtg.	1 (standrd): Laurel thin 2: Cylindrical thin extension	R (standard): Clockwise square	From the end of the shaft		10 (Can be omitted)
	WPV2R13	6, 8, 10, 12, 14, 17, 19, 23, 25, 28, 31	52, 60, 66, 76, 85, 94, 116, 125, 136, 153				U: (standard): Top left 45° D: bottom right 45° R: top right 45° L: lower left 45°	U: (standard): Above D: below R: Right L: Left	
	WPV2R23	26, 33, 41, 47, 53, 59, 65, 75	52, 60, 66, 76, 85, 94, 116, 125, 136, 153				U: (standard): Top left 45° D: 45° at the bottom right R: top right 45° L: 45 on the lower left.		

1. If you need other specifications of displacement or other types of shaft extension, please contact our technical department;
2. The suction port position is set to the top;
3. When the model number of the order is not complete, the product (installation type, shaft extension type, rotation direction and position of the oil port, etc) is supplied according to the standard type.

WINMAN WPV2R Series Double Vane Pumps
Working parameters

[Anti-wear hydraulic oil viscosity 20cSt (ISO vg32 oil, temperature 50 °C), speed 150r (min, inlet pressure 0MPa)]

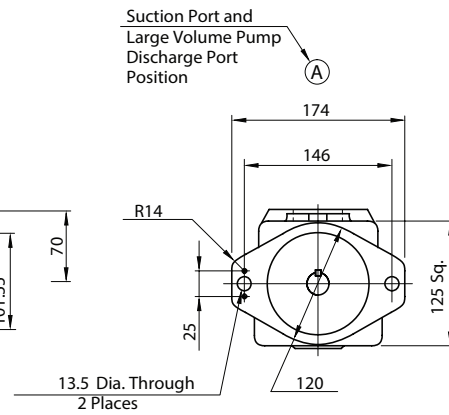
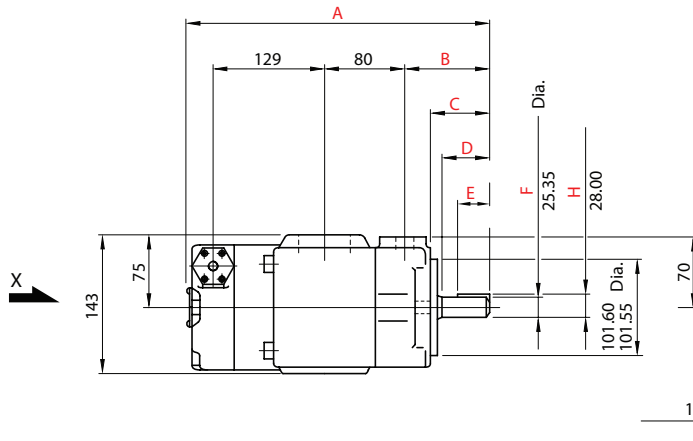
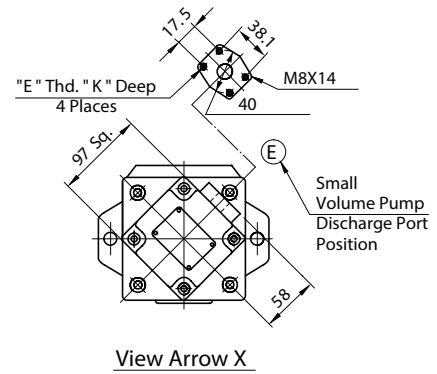
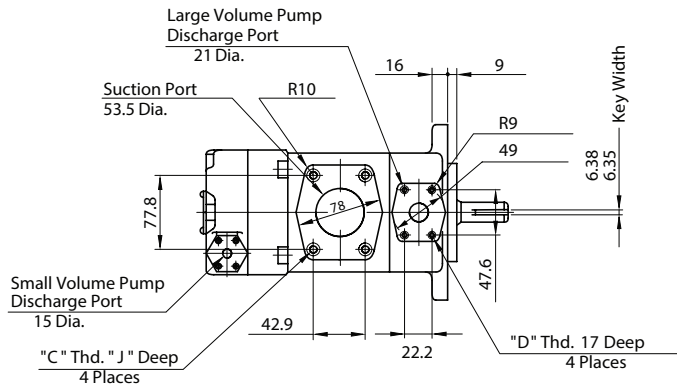
Serial Number	Oil port outlet	Displacement mL/r	highest Working pressure MPa	Output flow L/min					Driving power W					Speed r/min		Weight kg	
				Outlet pressure MPa					Outlet pressure MPa					lowest	highest		
				0.7	7	14	Pn	21	0.7	7	14	Pn	21				
WPV2R12	shaft end pump	26	21	39.0	6.5	34.0	32.5	31.2	0.6	6.0	11.0	13.7	16.5	750	1800	25	
		33		49.0	47.0	44.0	42.8	42.0	0.6	7.5	14.0	17.0	20.5				
		41		61.0	58.9	56.1	55.0	53.5	0.9	8.2	16.0	20.5	24.5				
		47		70.0	67.5	64.6	63.8	62.0	1.0	9.0	18.0	23.5	27				
		53		77.0	73.4	71.0	69.0	67.0	1.1	10.0	20.5	26	31				
		59		85.0	82.0	79.0	77.0	76.0	1.2	12.0	23.5	29	34				
		65		95.0	91.5	88.0	86.0	85.0	1.3	13.0	26	32	38				
		75		109.0	105	101	99.2	98.0	1.5	15.0	30	37	43				
	cover end pump	6	21	8.4	7.5	6.5	6.0	5.6	0.2	1.5	3.0	3.7	4.4				
		8		11.7	10.8	9.9	9.4	9.0	0.2	2.0	3.8	4.8	5.2				
		10		13.6	12.9	11.9	11.5	10.8	0.2	2.3	4.3	5.3	6.4				
		12		18.0	17.0	15.8	15.2	14.8	0.3	2.7	5.2	6.5	7.8				
		14		20.2	19.0	17.8	17.2	16.7	0.3	3.0	5.7	7.2	8.5				
		17		24.5	23.5	22.2	21.5	21.0	0.4	3.3	6.8	8.5	10.1				
		19		27.5	26.5	25.1	24.5	24.0	0.4	3.6	7.7	9.5	11.5				
		23		33.2	32.2	31.1	30.5	30.0	0.5	4.6	9.4	12.0	14.0				
		25		37.0	36.0	35.0	34.1	33.8	0.5	5.0	10.5	12.7	16.0				
		28		41.1	40	38.5	37.8	37.1	0.55	5.4	10.6	13	16.5				
31	45.8	44.5	43.4	43.0	-	0.6	6.1	12.4	14.4	-							
WPV2R13	shaft end pump	52	21	77.0	71.0	65.0	62.0	58.0	1.1	12.0	21.5	26.5	31.5	1800	1800	45.6	
		60		88.0	82.0	75.0	71.0	68.0	1.2	12.5	23.0	29.0	35.0				
		66		98.0	92.0	85.0	81.0	77.5	1.3	13.0	26	32.5	38				
		76		112	107	101	97	94.0	1.6	16.0	30	37	44				
		85		125	119	112.5	108	105.4	1.7	14.5	33.0	41.0	48.5				
		94		138	132	124	120	117	1.9	19.0	36	45	53				
		116		171	165	157	156	-	2.3	22.0	44	50	-				
		125		181	175	166	165	-	2.4	24.0	45	51	-				
	cover end pump	136	21	202	195	186	184	-	2.7	26.2	50.2	57	-				
		153		228	219	208	207	-	3.0	29.4	56.1	63.6	-				
		6		21	8.4	7.5	6.5	6.0	5.6	0.2	1.5	3.0	3.7				4.4
		8			11.7	10.8	9.9	9.4	9.0	0.2	2.0	3.8	4.8				5.2
		10			13.6	12.9	11.9	11.5	10.8	0.2	2.3	4.3	5.3				6.4
	12	18.0	17.0		15.8	15.2	14.8	0.3	2.7	5.2	6.5	7.8					
	14	20.2	19.0		17.8	17.2	16.7	0.3	3.0	5.7	7.2	8.5					
	17	24.5	23.5		22.2	21.5	21.0	0.4	3.3	6.8	8.5	10.1					
	19	27.5	26.5		25.1	24.5	24.0	0.4	3.6	7.7	9.5	11.5					
	23	33.2	32.2		31.1	30.5	30.0	0.5	4.6	9.4	12.0	14.0					
25	37.0	36.0	35		34.1	33.8	0.5	5.0	10.5	12.7	16.0						
28	41.1	40	38.5		37.8	37.1	0.55	5.4	10.6	13	16.5						
31	45.8	44.5	43.4	43.0	-	0.6	6.1	12.4	14.4	-							
WPV2R23	shaft end pump	52	21	77.0	71.0	65	62.0	58.0	1.1	12.0	21.5	26.5	31.5	600	1800	51	
		60		88.0	82.0	75	71.0	68.0	1.2	12.5	23.0	29.0	35.0				
		66		98.0	92.0	85	81.0	77.5	1.3	13.0	26	32.5	38				
		76		112	107	101	97	94.0	1.6	16.0	30	37	44				
		85		125	119	112.5	108	105.4	1.7	14.5	33.0	41.0	48.5				
		94		138	132	124	120	117	1.9	19.0	36	45	53				
		116		171	165	157	156	-	2.3	22.0	44	50	-				
		125		181	175	166	165	-	2.4	24.0	45	51	-				
	cover end pump	136	21	202	195	186	184	-	2.7	26.2	50.2	57	-				
		153		228	219	208	207	-	3.0	29.4	56.1	63.6	-				
		26		21	39.0	36.5	34	32.5	31.2	0.6	6.0	11.0	13.7				16.5
		33			49.0	47.0	44	42.8	42.0	0.6	7.5	14.0	17.0				20.5
		41			61.0	58.9	56.1	55.0	53.5	0.9	8.2	16.0	20.5				24.5
	47	70.0	67.5		64.6	63.8	62.0	1.0	9.0	18.0	23.5	27					
	53	77.0	73.4		71	69.0	67.0	1.1	10.0	20.5	26	31					
	59	85.0	82.0		79	77.0	76.0	1.2	12.0	23.5	29	34					
	65	95.0	91.5		88	86.0	85.0	1.3	13.0	26	32	38					
	75	109	105		101	99.2	98.0	1.5	15.0	30	37	43					

Explanations: 1. Description of the same unit "T as parameter" (see page 51) 2. Total drive power of dual pumps ~ shaft end pump drive common power + cover end pump drive power.

WINMAN WPV2R Series Double Vane Pumps

Installation connection size

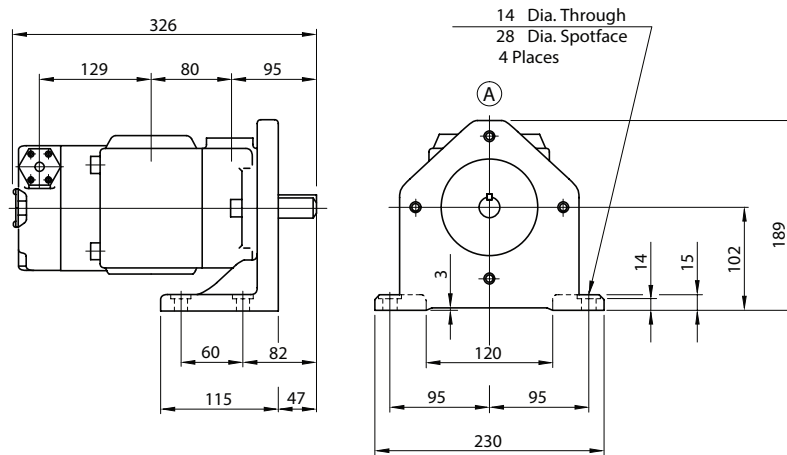
Flange Mtg.: WPV2R12- * - * -F-REAA-42/4290



Axial extension form	A	B	C	D	E	F	H
1	326	95	67	55	40	25.4	28.18
2	318	87	59	47	32	22.23	25.01

DIMENSIONS IN MILLIMETRES (INCHES)

Foot Mtg.: WPV2R12- * - * -L-REAA-42/4290



• For other dimensions, refer to "Flange Mtg.".